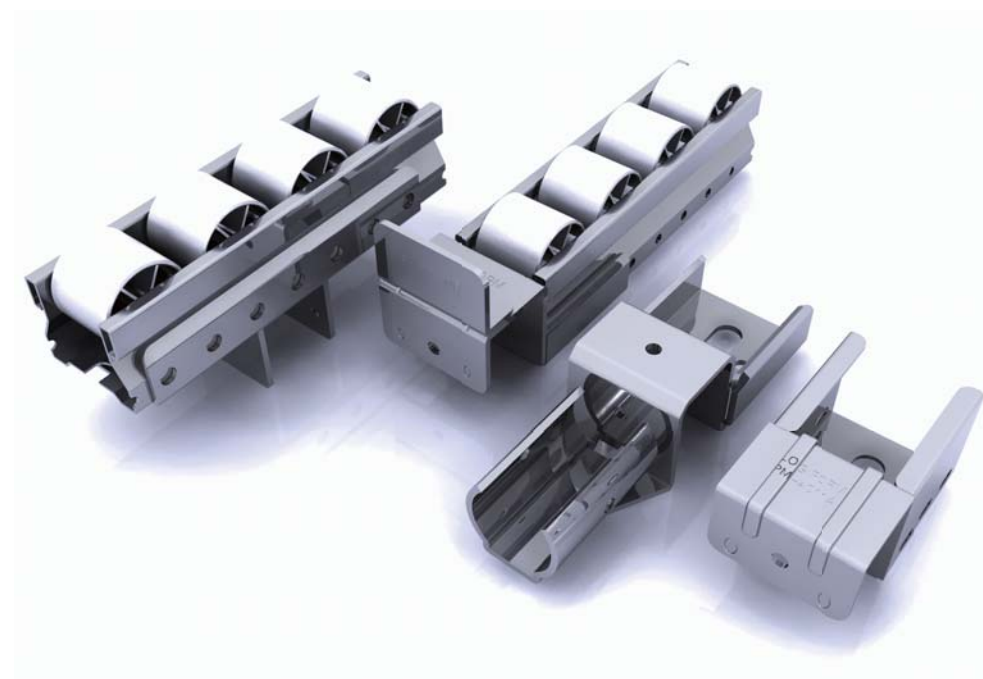
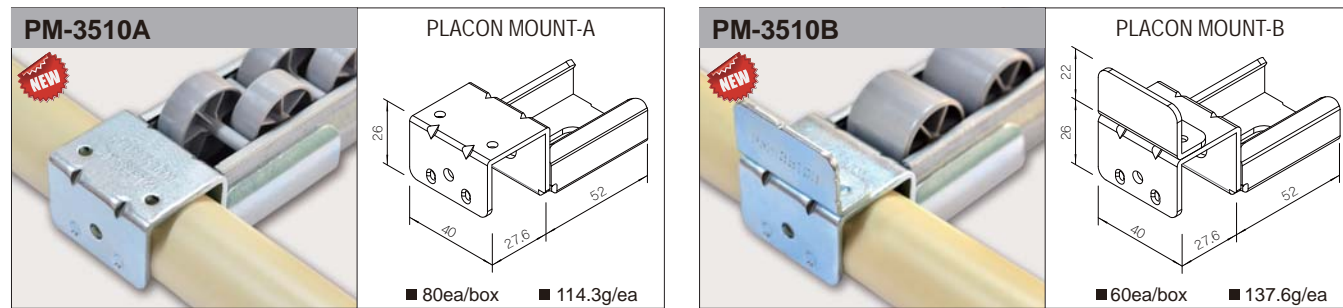


ROLLER TRACKS (PLACON MOUNTS)

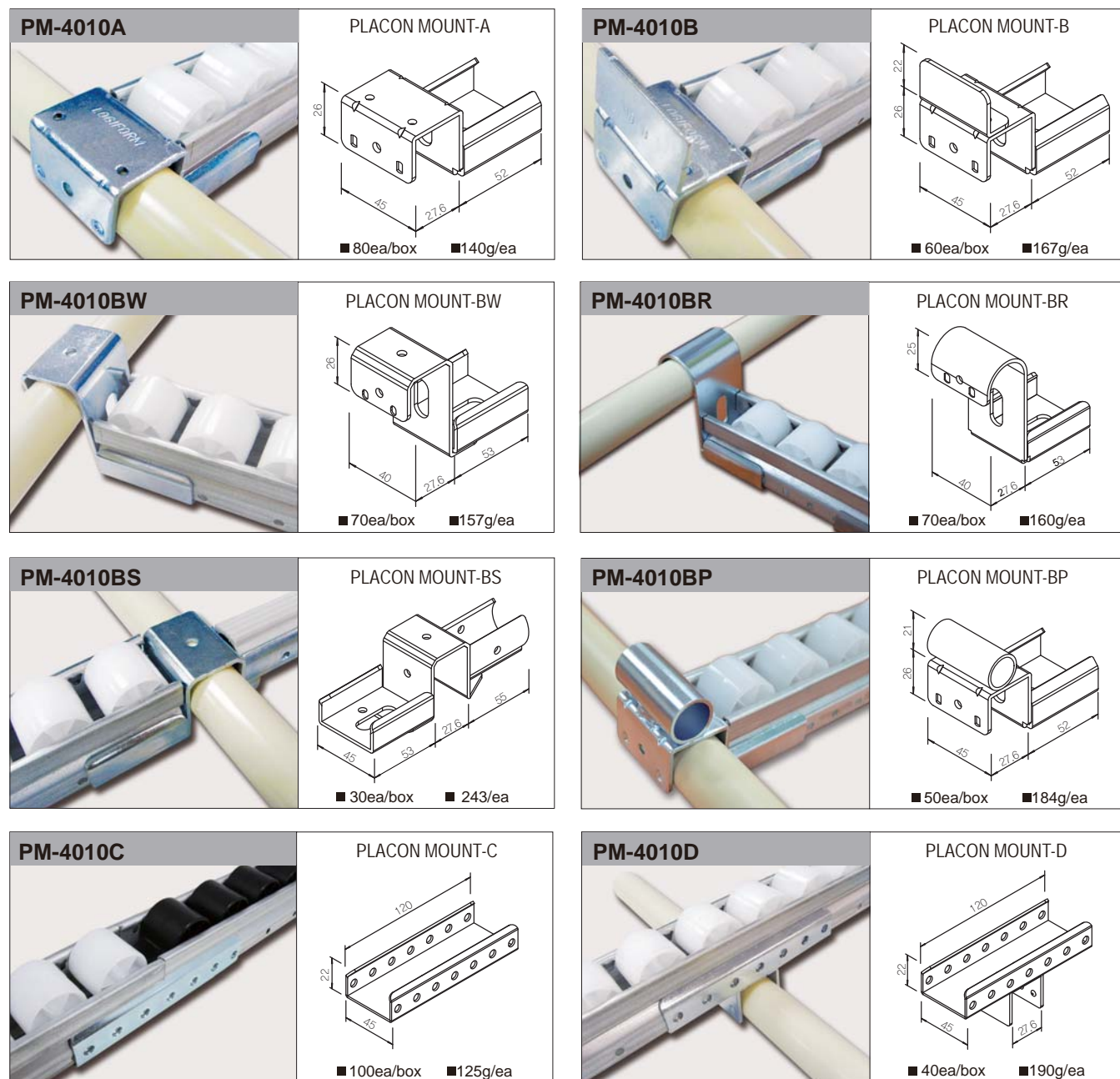


- 1. 35 SERIES MOUNTS**
- 2. 40 SERIES MOUNTS**
- 3. 60 SERIES MOUNTS**
- 4. 73 SERIES MOUNTS**

MOUNTS FOR 35 SERIES (STEEL) TYPE

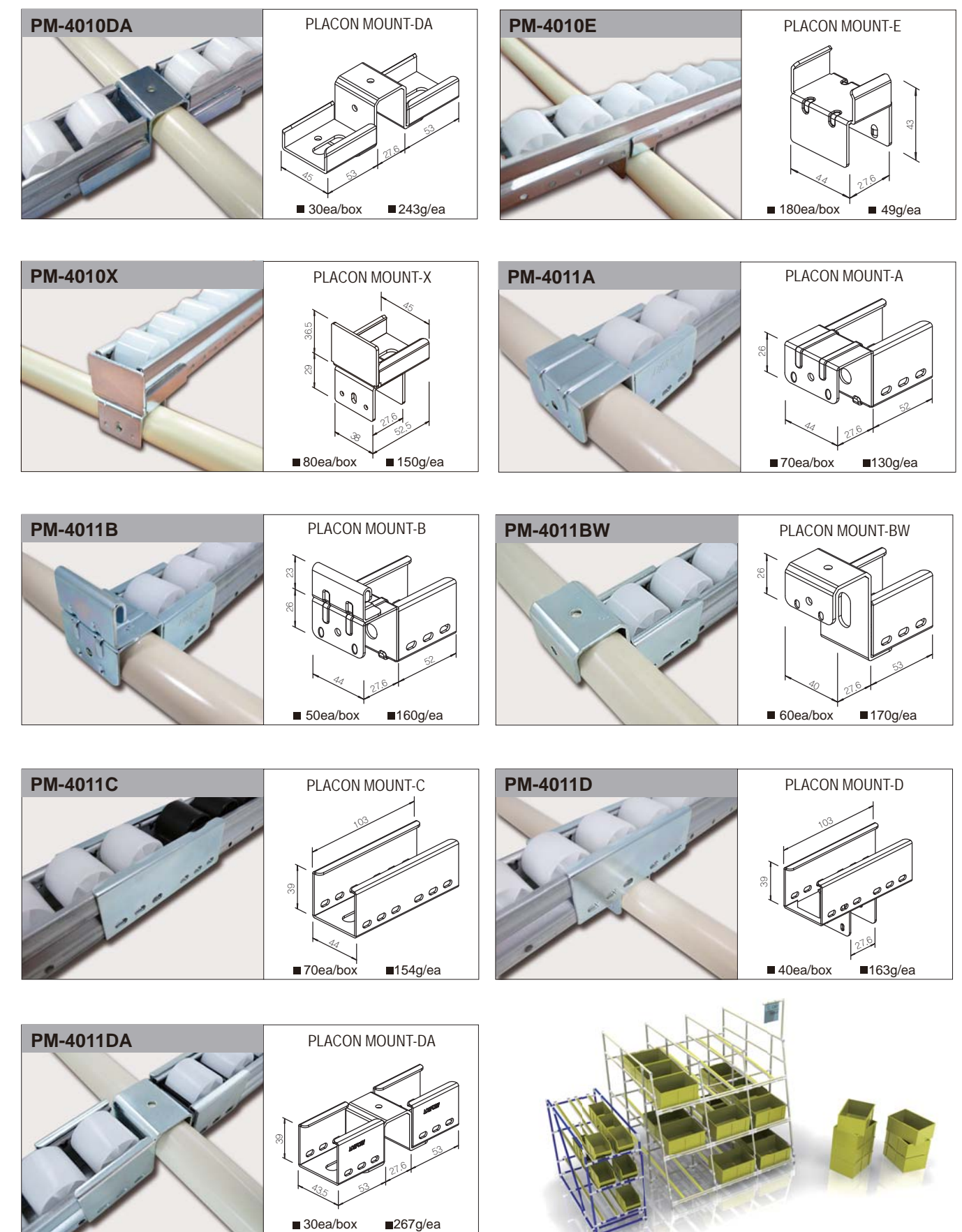


MOUNTS FOR 40 SERIES (STEEL) TYPE

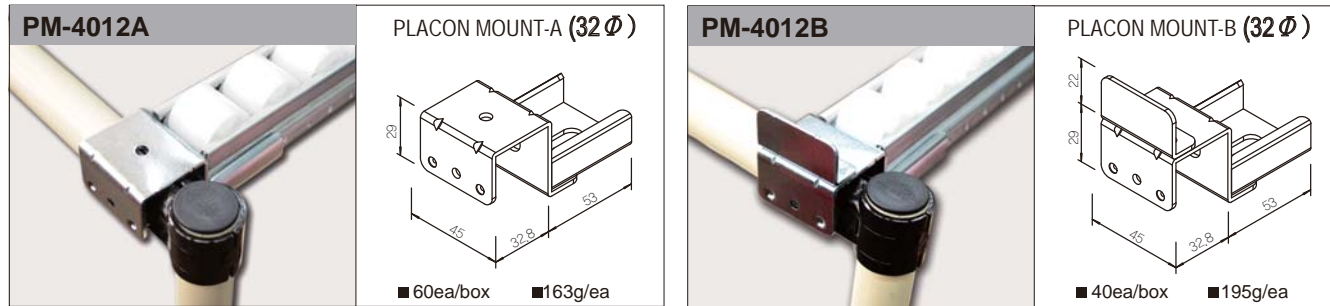


**ROLLER TRACKS
(PLACON MOUNTS)**

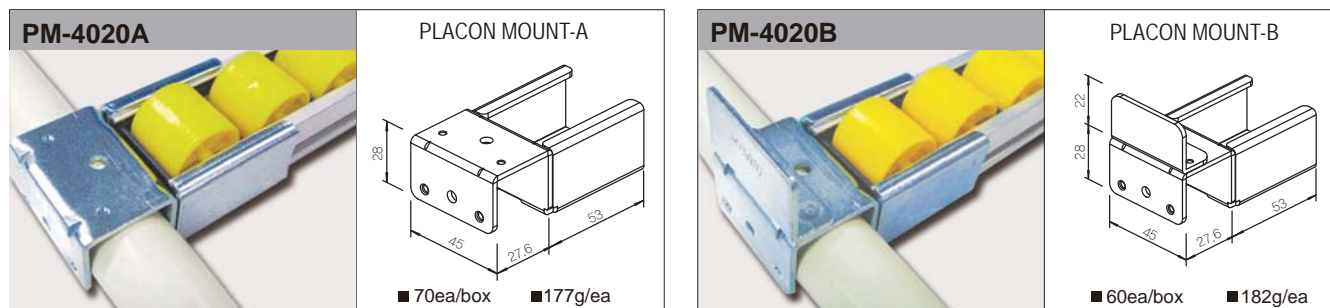
MOUNTS FOR 40 SERIES (STEEL) TYPE



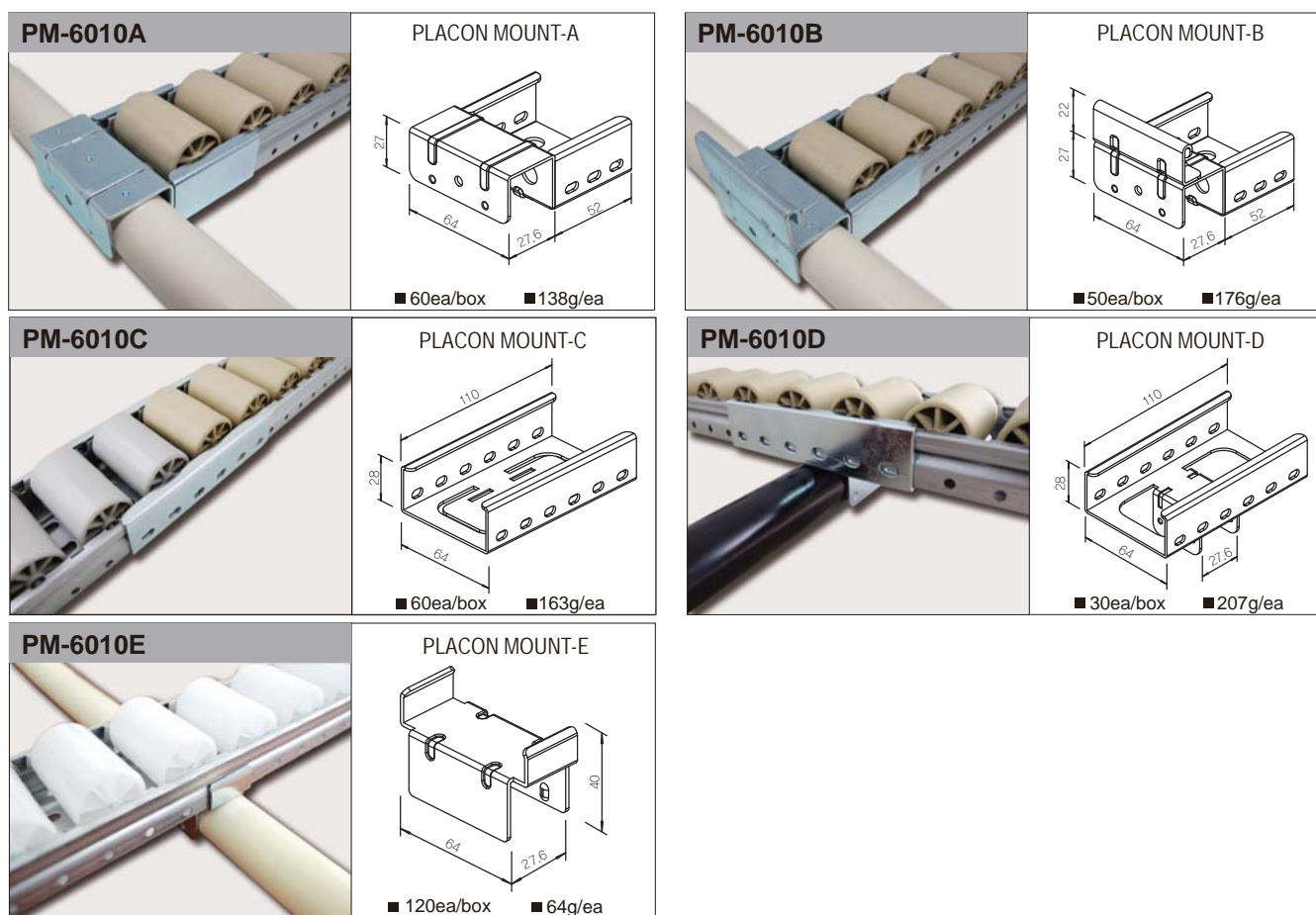
MOUNTS FOR 40 SERIES (STEEL) TYPE



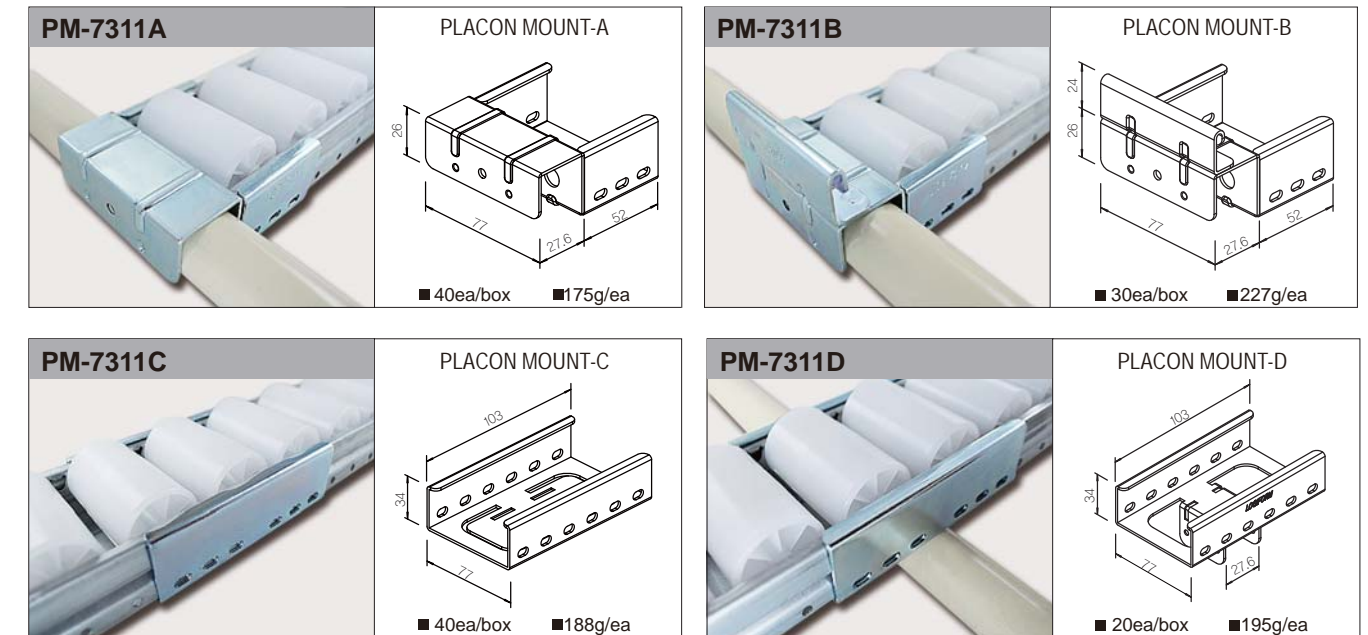
MOUNTS FOR 40 SERIES (ALUMINIUM) TYPE



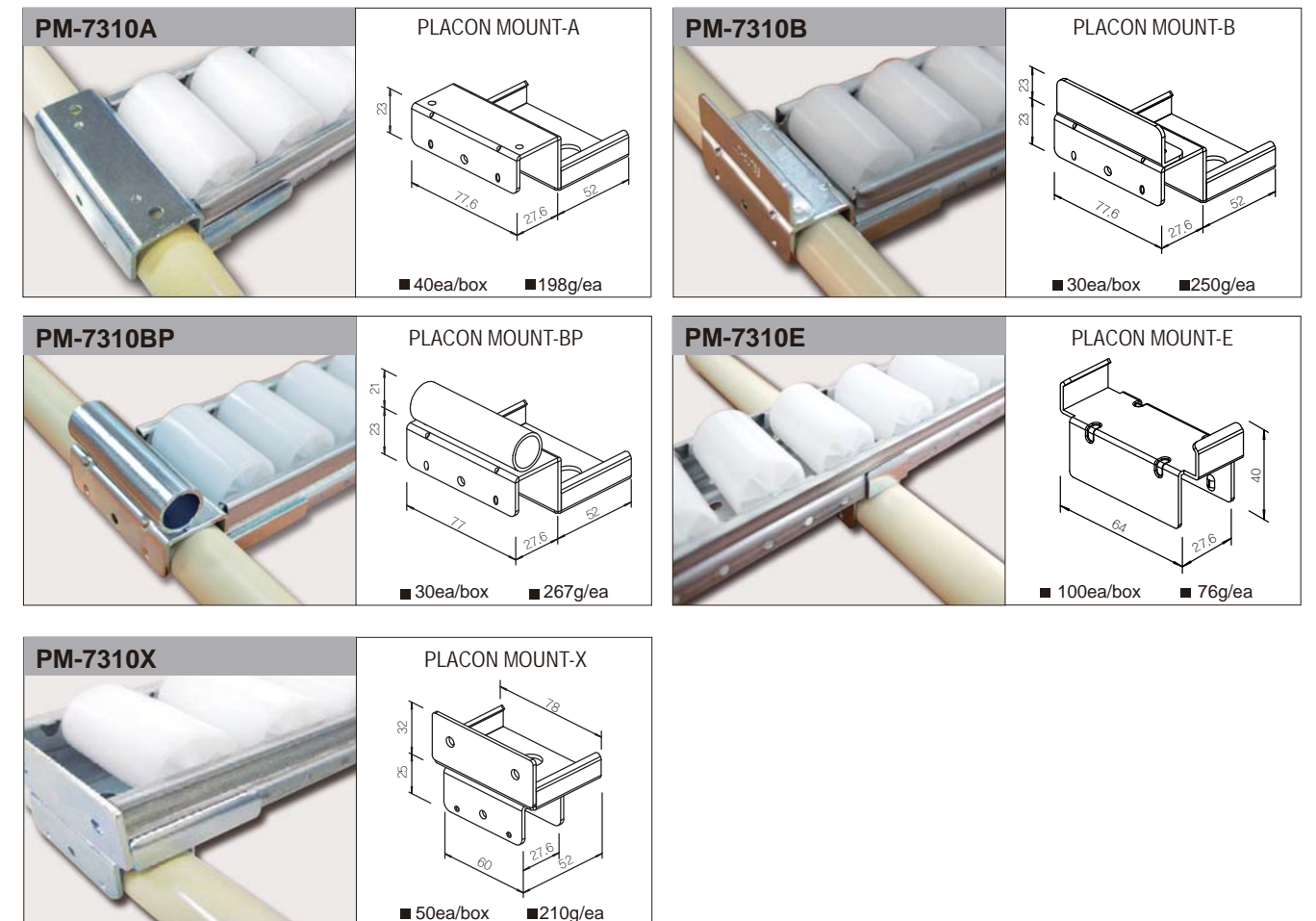
MOUNTS FOR 60 SERIES (STEEL) TYPE



MOUNTS FOR 73 SERIES (ALUMINIUM / STEEL) TYPE



MOUNTS FOR 73 SERIES (STEEL) TYPE



MOUNTS FOR 73 SERIES (STEEL) TYPE

<p>PM-7312A</p>	<p>PLACON MOUNT-A (32Φ)</p> <p>■ 40ea/box ■ 273g/ea</p>	<p>PM-7312B</p>	<p>PLACON MOUNT-B (32Φ)</p> <p>■ 30ea/box ■ 350g/ea</p>
------------------------	--	------------------------	--

MOUNTS FOR SLIDE PIPE

<p>SM-2810A</p>	<p>SLIDE MOUNT-A</p> <p>■ 100ea/box ■ 122g/ea</p>	<p>SM-2810B</p>	<p>SLIDE MOUNT-B</p> <p>■ 80ea/box ■ 145g/ea</p>
<p>SM-2810BP</p>	<p>SLIDE MOUNT-BP</p> <p>■ 80ea/box ■ 155g/ea</p>	<p>SM-2810C</p>	<p>SLIDE MOUNT-C</p> <p>■ 30ea/box ■ 240g/ea</p>
<p>SM-2810D</p>	<p>SLIDE MOUNT-D</p> <p>■ 80ea/box ■ 138g/ea</p>	<p>SM-2810G</p>	<p>SLIDE MOUNT-G GUIDE MOUNT</p> <p>■ 90ea/box ■ 132g/ea</p>
<p>SM-2812A</p>	<p>SLIDE MOUNT-A (32Φ)</p> <p>■ 100ea/box ■ 120g/ea</p>	<p>SM-2812B</p>	<p>SLIDE MOUNT-B (32Φ)</p> <p>■ 80ea/box ■ 148g/ea</p>

PLACON END CAP

<p>PJ-140AL</p>	<p>40° TYPE AL PLASTIC CAP</p> <p>ALUMINIUM</p> <p>■ 2,000ea/box ■ 6g/ea</p>	<p>PJ-140LN</p>	<p>40° TYPE AL PLASTIC CAP</p> <p>LESS NOISE</p> <p>■ 1,600ea/box ■ 4.1g/ea</p>
<p>PJ-140ST</p>	<p>40° TYPE PLASTIC CAP</p> <p>STEEL</p> <p>■ 1,600ea/box ■ 3.9g/ea</p>	<p>PJ-160ST</p>	<p>60° TYPE PLASTIC CAP</p> <p>STEEL (SMALL)</p> <p>■ 2,000ea/box ■ 3.5g/ea</p>
<p>PJ-173ST</p>	<p>73° TYPE PLASTIC CAP</p> <p>STEEL</p> <p>■ 1,200ea/box ■ 5.0g/ea</p>	<p>PJ-173AL</p>	<p>73° TYPE AL PLASTIC CAP</p> <p>ALUMINIUM</p> <p>■ 1,300ea/box ■ 6g/ea</p>
<p>PJ-G100AL</p>	<p>100° TYPE AL PLASTIC CAP</p> <p>ALUMINIUM</p> <p>■ 1,000ea/box ■ 13.5g/ea</p>	<p>PJ-P100AL</p>	<p>100° TYPE AL PLASTIC CAP</p> <p>ALUMINIUM</p> <p>■ 1,000ea/box ■ 10.7g/ea</p>

*Please contact our sales office with reference to the additional options available.